
Modular Systems Kitted Product Modification Catalogue



INSULA
CONTAINER CONVERSIONS



INSULA
CONTAINER CONVERSIONS



Built for Scale

-
- Infrastructure and upgrades that deploy in hours, not months
 - Modular container-based systems
 - Industrial-grade durability
 - Scalable across industries
 - No Weld
 - Bolt- together kits
 - All hardware included
 - Advanced Manufacturing principles
 - Systems built to advance containers potentials world- wide



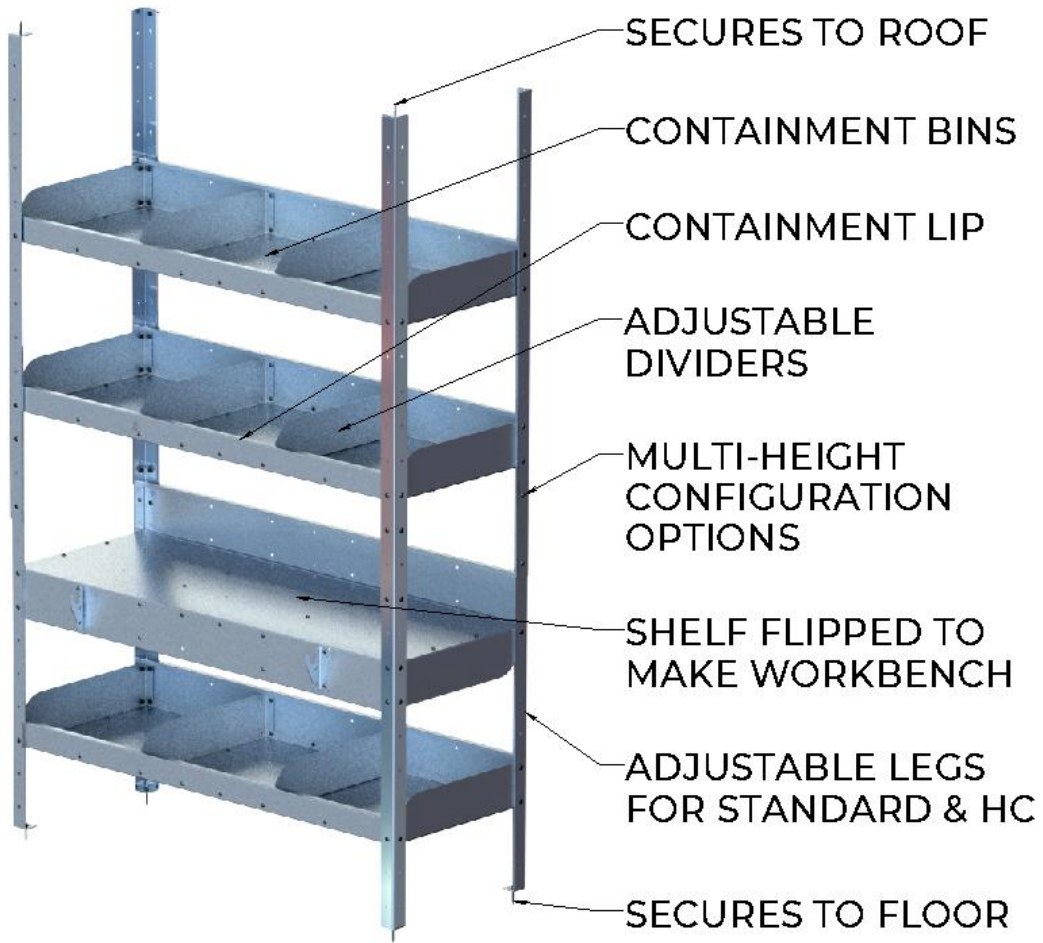
STORAGE SYSTEMS

Armor X13
04/29/2025 12:50:19

Premium Shelving System

- High-performance interior storage
- Adjustable Binned Containment Shelves
- Secures to Container Roof and Floor.
- Optional Work Bench
 - Up to 1000 lbs per shelf
 - Galvanized steel construction
 - Fits 10ft–40ft containers
 - Increases usable square footage of any container by 36sq ft per shelf
 - Ideal for loose bulk items, inventory and keepings items secured when the container is moved
 - \$695 per shelf
 - Add on Shelves and Dividers available





STRUCTURAL SYSTEMS



Strapping Kit

- Structural reinforcement for insulation & cladding
 - Rust-resistant galvanized steel
 - Fast modular installation
 - Supports external upgrades of insulation and cladding of any kind.
 - No weld, bolt-together, screw on
 - 10ft starting at \$1800





Roof Systems

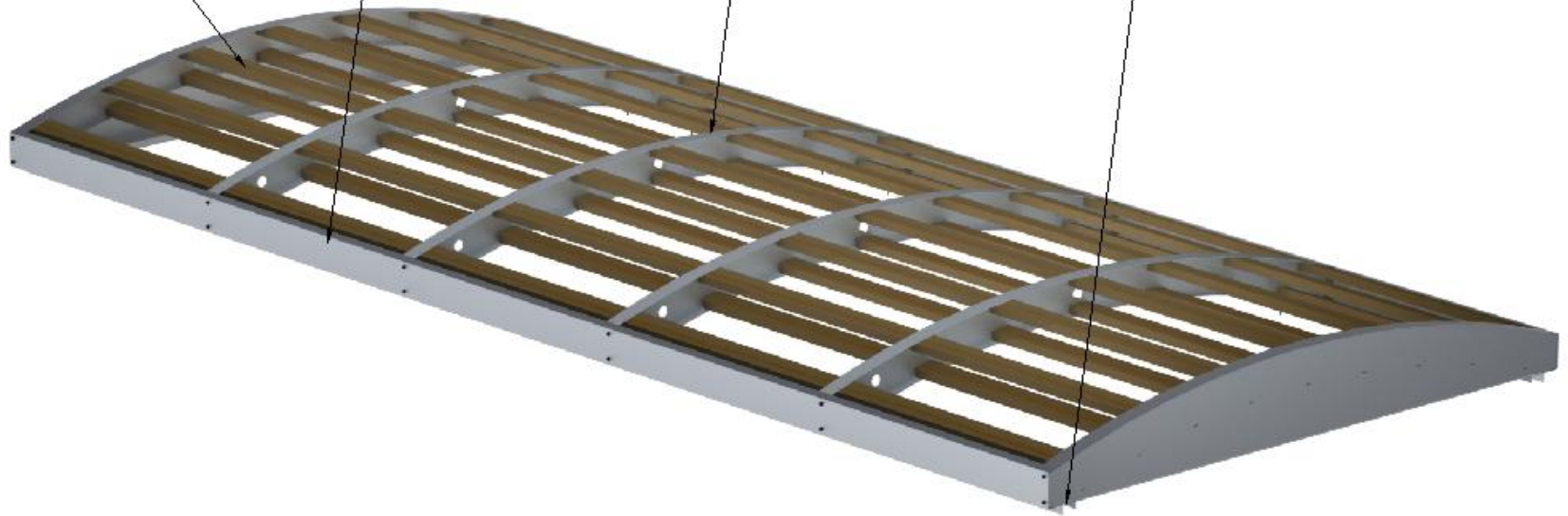
- Protect. Reinforce. Expand.
 - Arch, Peak, Cathedral options
 - Weather protection + longevity from leakage
 - Insulation ready
 - Rust resistant galvanized
 - No Weld, Bolt-Together, Screw on
 - 10ft roofs starting at \$1837
 - 20ft roofs starting at \$2800
 - 40ft roofs starting at \$3800

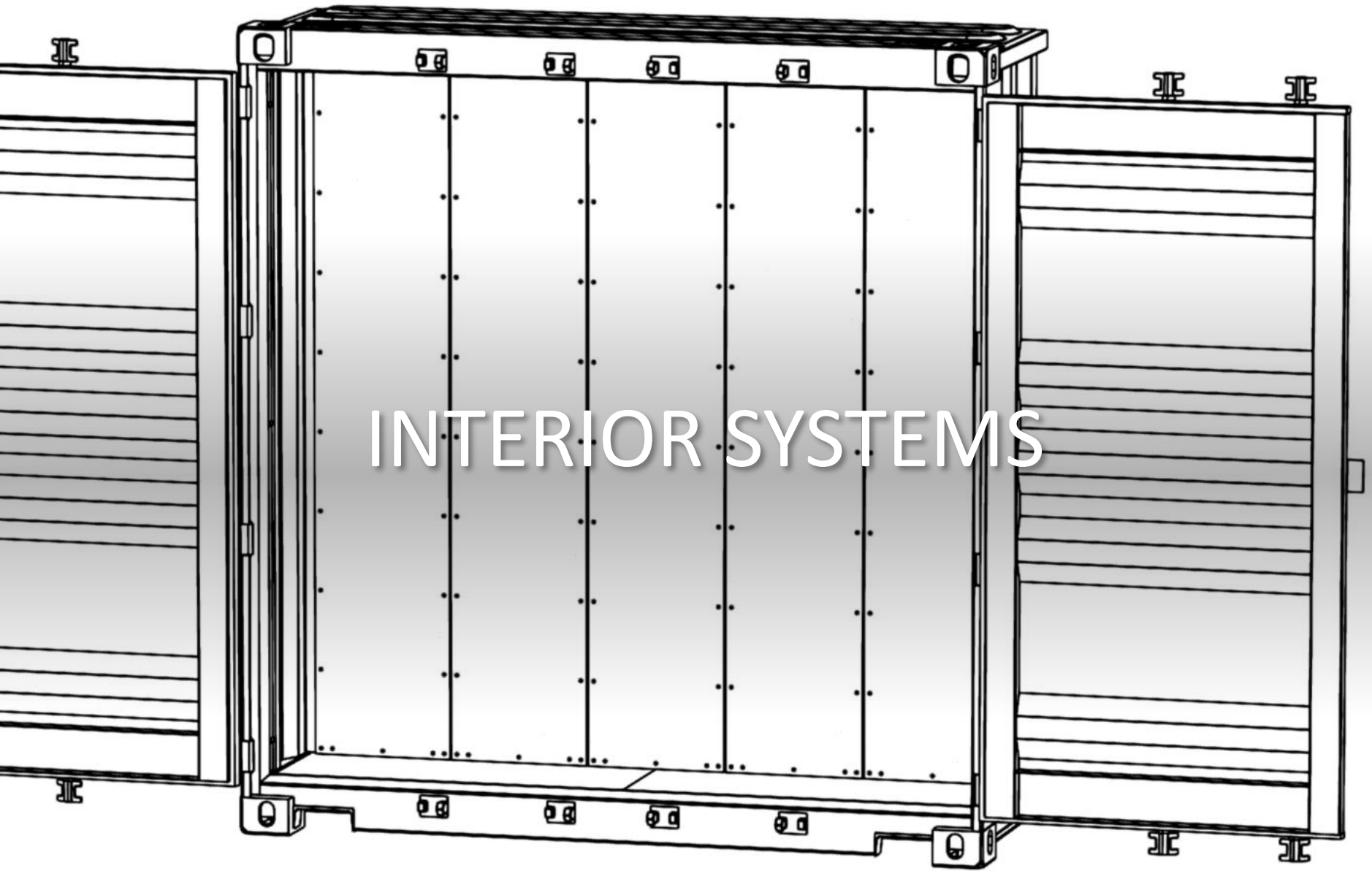
2 X 4 WOOD STRAPPING (NOT INCLUDED IN KIT)

+/- EYES OR OVERHANGS AS NEEDED

VARIETY OF PRODUCTS CAN BE USED FOR ROOF SHEETING

CHANNEL TO ACCOMMODATE STRAPPING KIT



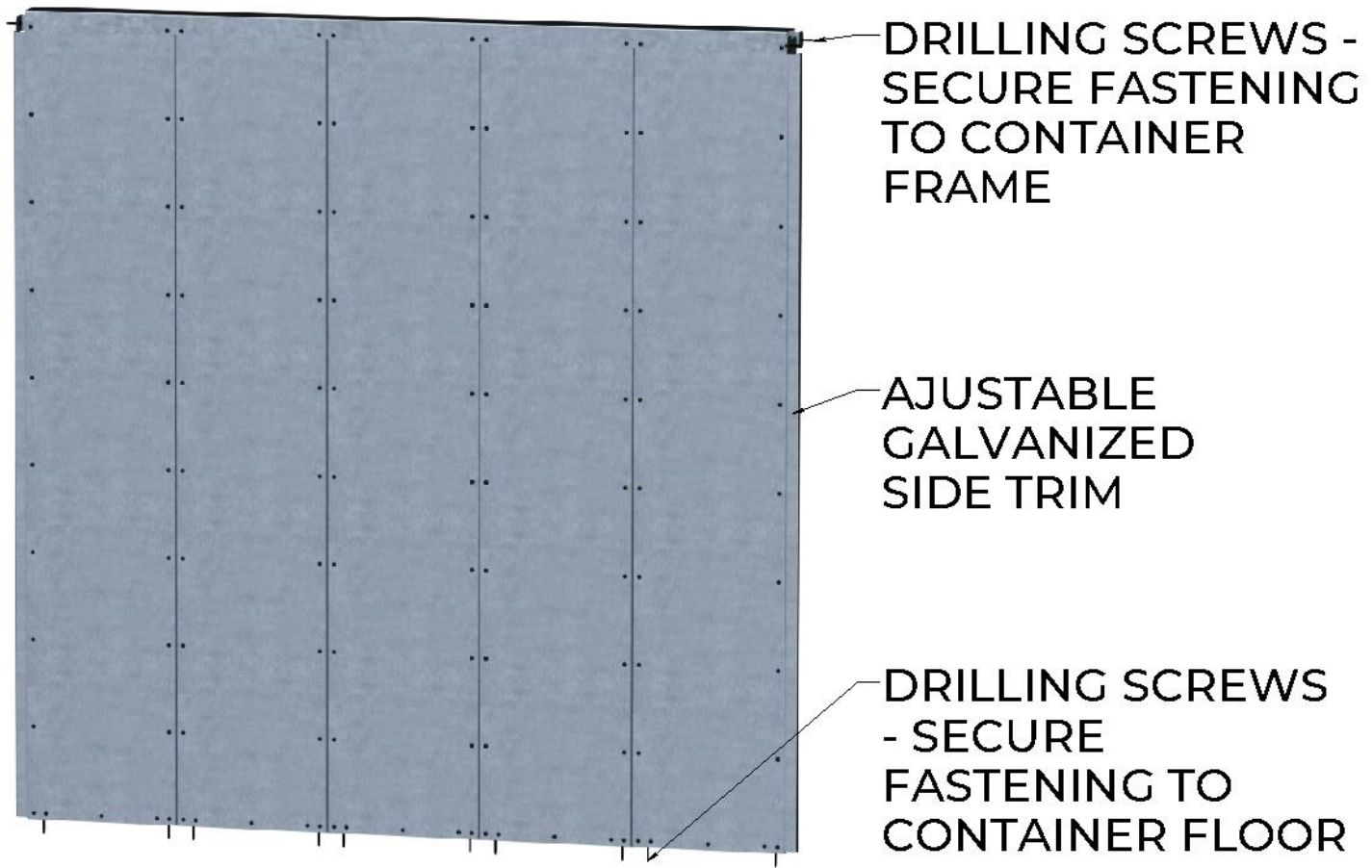


INTERIOR SYSTEMS

Modular Wall System

- Create rooms instantly
 - No welding required, bolt-together, screw on
 - Insulation-ready design
 - Install in 2–3 hours
 - Trimmed and finishes on both sides
 - Self Squaring
 - Starting at \$1480





DRILLING SCREWS -
SECURE FASTENING
TO CONTAINER
FRAME

AJUSTABLE
GALVANIZED
SIDE TRIM

DRILLING SCREWS
- SECURE
FASTENING TO
CONTAINER FLOOR

Wall System with Door

- Secure interior or exterior access
 - Heavy-duty steel door with hardware included
 - Bolt-together system, no weld, self squaring
 - Fast deployment
 - Insulation ready
 - Can be used as interior or exterior wall
 - Seals and finished on both sides
 - Solid Steel Door options starting at \$2360 with door



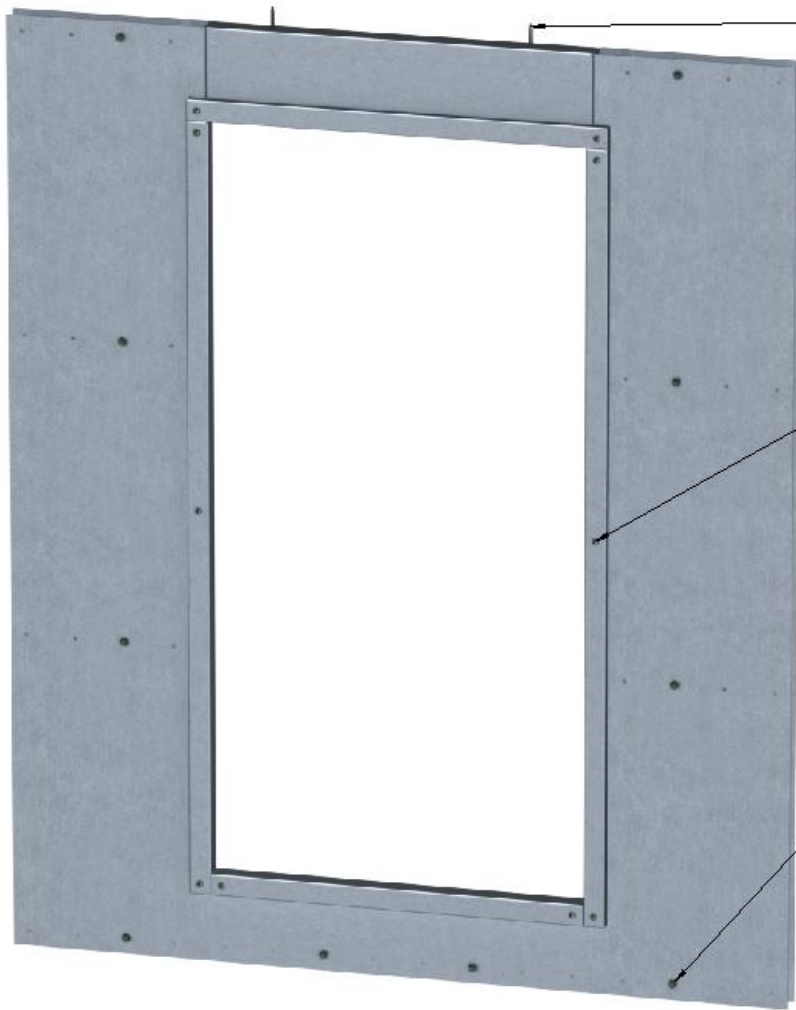


ACCESS & MODIFICATIONS

Window Kit

- Pre-engineered openings
 - Sealed + secure installation, self squaring
 - Standard flange window
 - Finished and seals interior and exterior
 - Maximum security for an unfinished container
 - No weld installation, bolt-together; screw on
 - Starting at \$828 24x48 size





SECURE
FASTENING TO
CONTAINER
FRAME WITH
DRILLING SCREWS

SECURE TRIM
FASTENING TO
WINDOW FRAME
WITH DRILLING
SCREWS

SECURE FASTENING
TO CONTAINER
CORRUGATED
WALL WITH
DRILLING SCREWS

Door Conversion Kit

- Create new entry points
 - Industrial steel door
 - Secure and durable, self squaring
 - Can be placed at any point along the corrugation
 - Trims and finishes the inside and outside
 - No weld, bolt-together; screw on
 - Industrial design, built for safety and theft prevention
 - Starting at \$908 includes standard steel door



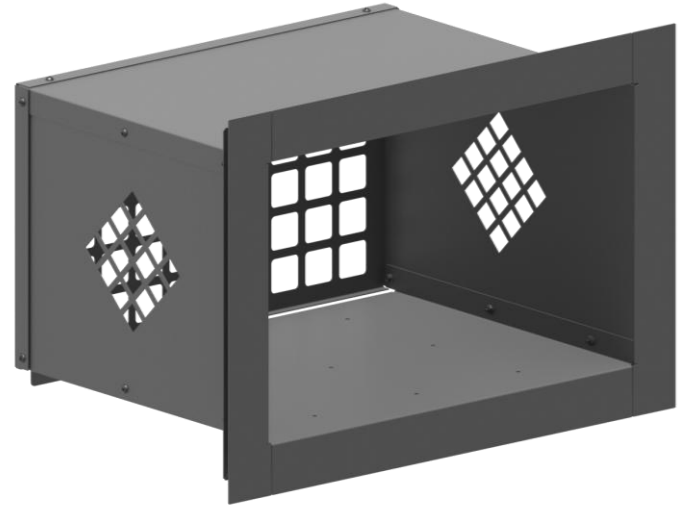
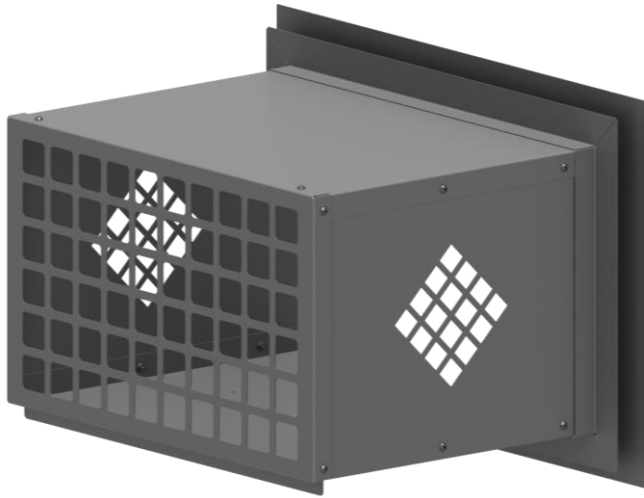


RAIN SHIELD -
PROVIDES
PROTECTION
FROM RAIN

DRIP TRAY -
PREVENTS
WATER FROM
ENTERING
DOOR SEAL

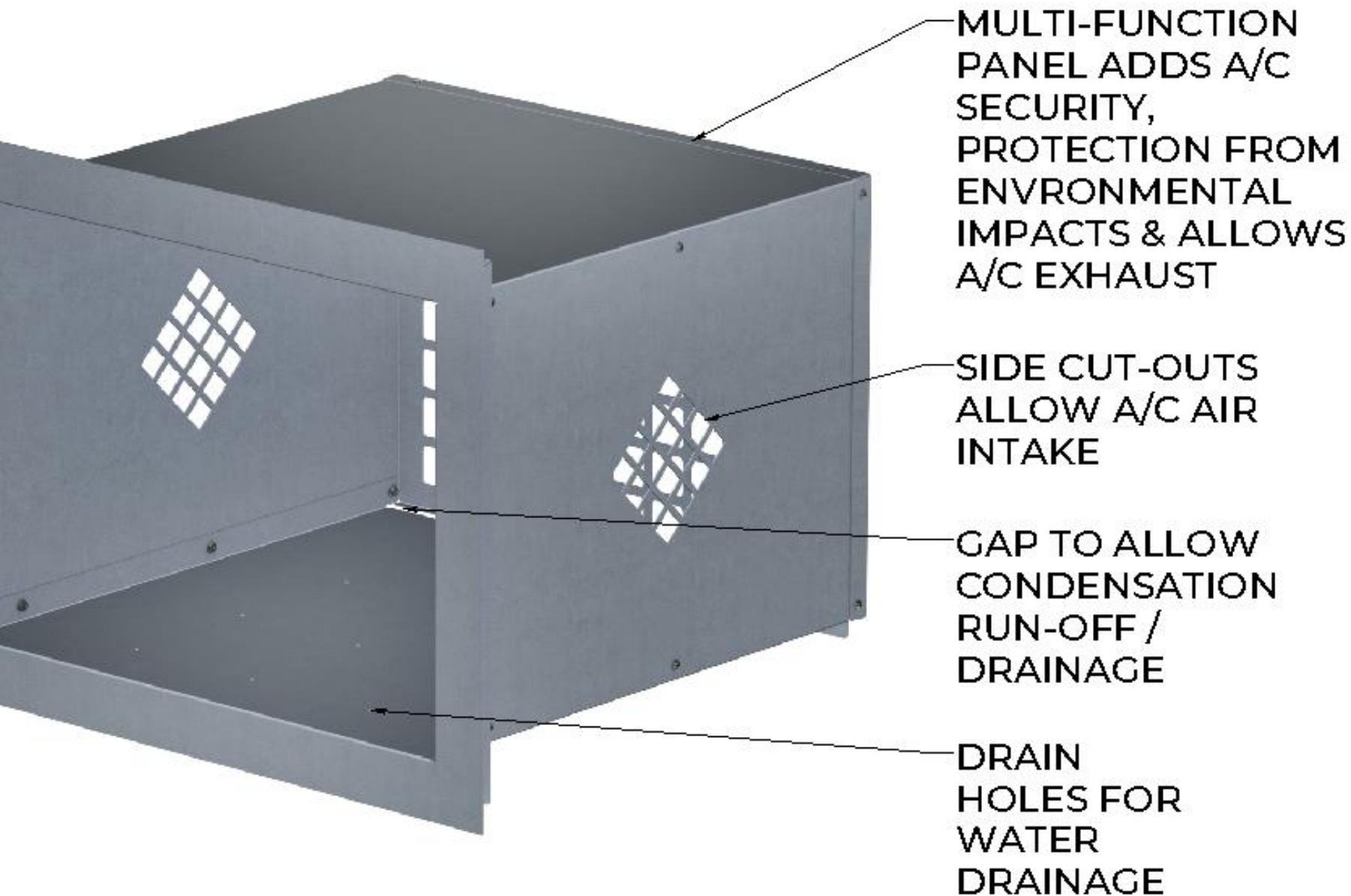
SECURE
FASTENING TO
CONTAINER
CORRUGATED
WALL WITH
DRILLING
SCREWS

SILL PLATE



AC Mounting Box

- External HVAC integration
 - Fits all container sizes
 - Fast bolt-on install
 - Finishes inside and outside of container
 - Maximum security from theft
 - Starting at \$525



MULTI-FUNCTION
PANEL ADDS A/C
SECURITY,
PROTECTION FROM
ENVIRONMENTAL
IMPACTS & ALLOWS
A/C EXHAUST

SIDE CUT-OUTS
ALLOW A/C AIR
INTAKE

GAP TO ALLOW
CONDENSATION
RUN-OFF /
DRAINAGE

DRAIN
HOLES FOR
WATER
DRAINAGE

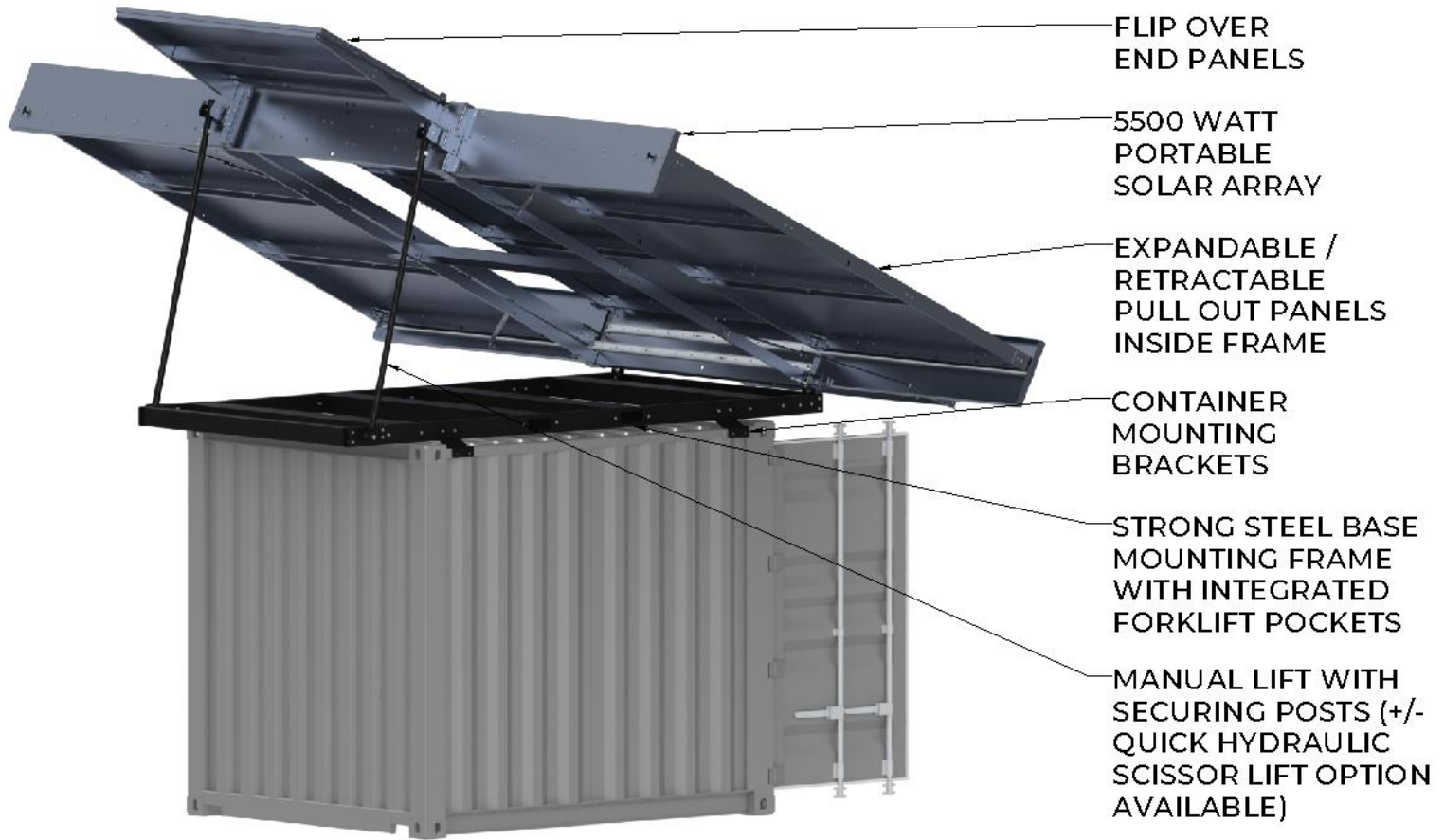


ENERGY & EXPANSION



Folding Solar Array

- Deploy power anywhere
 - Hydraulic deployment system or manual lift options available
 - Supports 5500W incoming solar from 11 panels
 - Expandable, tiltable Array
 - Durable Steel Frame designed to withstand Canadian Weather. Can be mounted on a Container, Box Trailer or on the ground
 - Ideal for remote locations, rapid deployment, portability, durability and flexibility
 - Starting at \$15,999 for manual lift

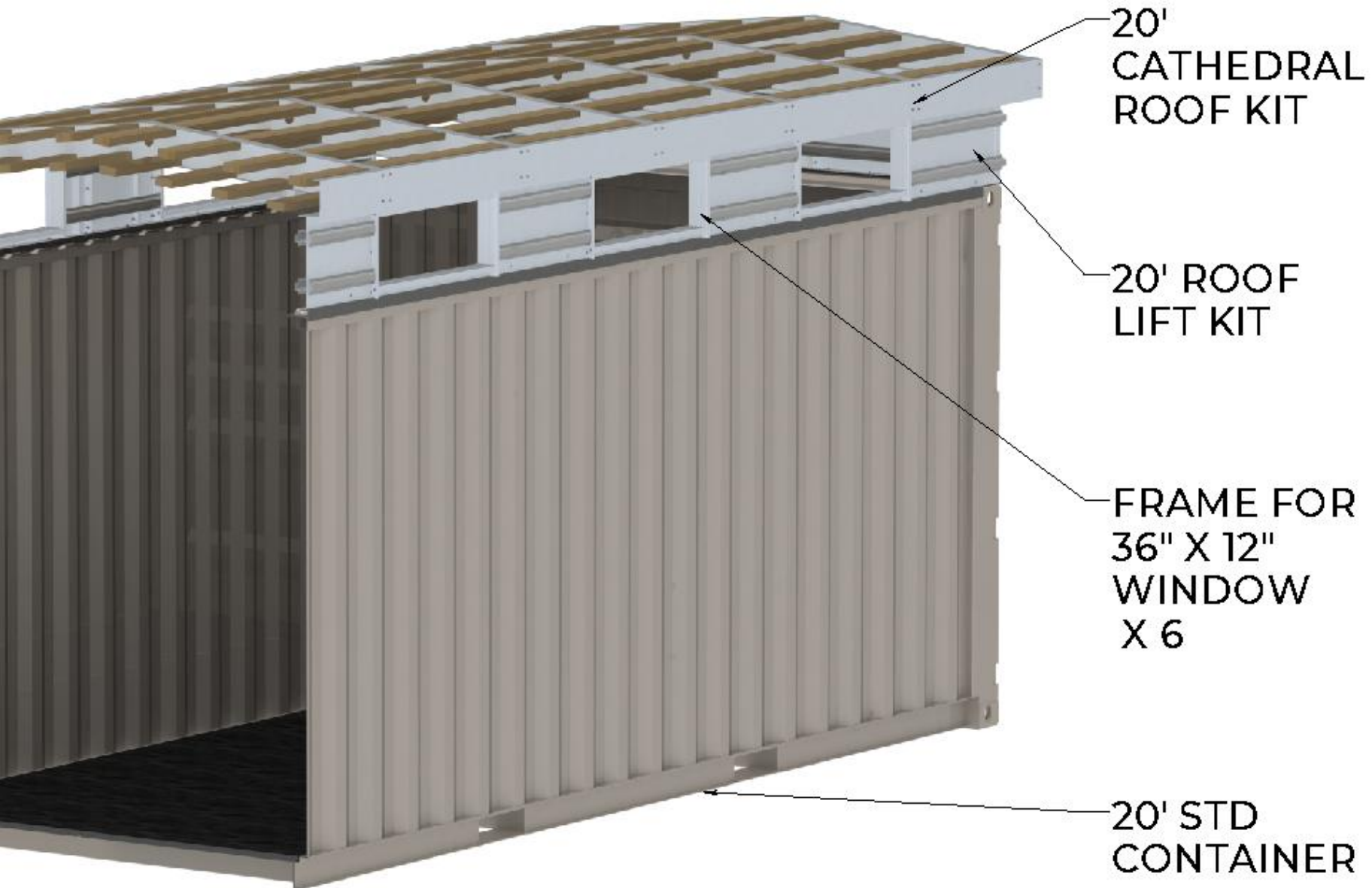




Roof Lift System

- Expand vertical space
 - Heavy-duty structural system
 - Galvanized, no rust
 - No weld, bolt-together, screw on
 - Accommodates window openings to let in natural light
 - Industrial deployment used to lift the roof height and give you more interior space, ideal for tiny home situations
 - Contact to Quote





20'
CATHEDRAL
ROOF KIT

20' ROOF
LIFT KIT

FRAME FOR
36" X 12"
WINDOW
X 6

20' STD
CONTAINER

5500 WATT
PORTABLE SOLAR
ARRAY

PORTABLE SOLAR
ARRAY HYDRAULIC
HOIST

SOLAR ARRAY
CONTAINER
MOUNTING FRAME


A/C MOUNT KIT
SECURE A/C
MOUNTING BOX



WINDOW KIT
24" X 48"
WINDOW FRAME

DOOR KIT
36" EXTERIOR
DOOR & FRAME

WALL & DOOR KIT
MOULDED WALL
WITH 32" DOOR

- 
- Orders or questions:
 - Email info@insulacontainers.com or
 - Mike@insitu-access.com
 - 519-983-0722
 - www.insulacontainers.com